

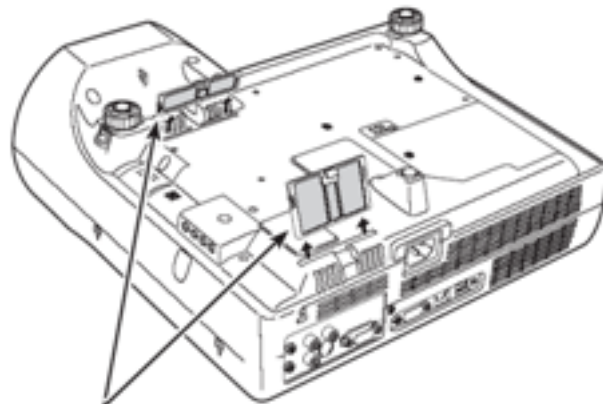
Promethean Projector LCD Projector Care Guidelines

Recommended Operation

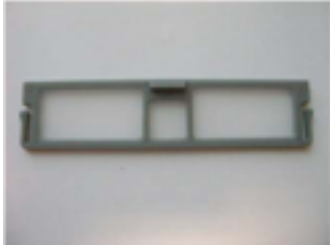
- Turn the projector on 5 minutes prior to intended use
- Turn the projector to Standby when not using it for a period of time greater than 30 minutes. Note: The “No Show” function is not the same as “Standby” and should not be used for extended periods of time
- After turning the projector to standby, never turn it back on immediately; You should wait approximately 30 minutes
- Always power the projector off with the remote control provided; Never use the wall switch
- Clean/Replace the air filters as required*
- Remove dust accumulation around the ventilation grills on a regular basis*

Model	Cleanable Filter	Replaceable Filter Only
PRM10	Y	N
PRM20	Y	N
PRM30	N	Y

PRM10/20



Air filters
Pull up and remove.



Part Number: PRM10-20-FILTER-F
(9103251982)



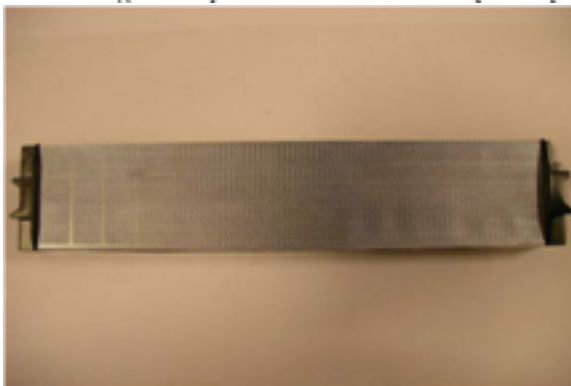
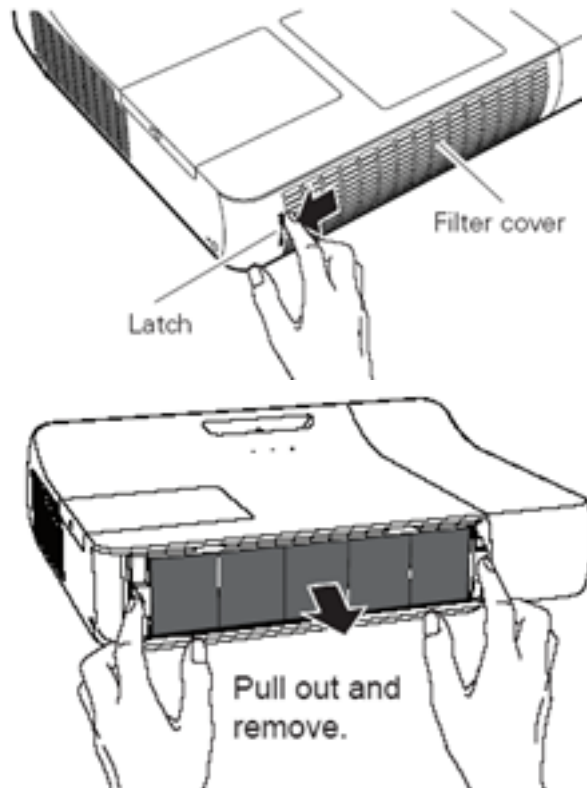
Part Number: PRM10-20-FILTER-B
(9103252033)

How often should the filters be cleaned?

This is purely dependent on the environment in which the projector is installed; it will be different for each and every school and classroom.*

- To assess the maintenance cycle for your classroom Promethean recommend that the two filters are initially checked after a period of one week, if dust is visible at this stage then your filters should be cleaned at least once a week.
- If not, replace the filters and check them again after another week, continue to do this until dust build up is visible and your maintenance cycle is determined.
- Promethean recommend that you use a vacuum cleaner, if possible, to extract the dust from the filters as they are removed, otherwise dust may fall from the filters into the filter slots and in turn into the projectors internal optics.
- A link to a sample maintenance log can be found at the bottom of this article

PRM30



Part Number: 6103517834

How often should the filter be replaced?

This is purely dependent on the environment in which the projector is installed; it will be different for each and every school and classroom.*

- This model has a filter counter built in, Promethean recommend that this should initially be set to 2000Hrs** (please consult the User Manual for in depth instructions on how to do this)

- When 2000Hrs has elapsed a filter warning will appear on screen, at which stage the filter should be removed and inspected
- Hold the filter up to the light; you should be able to see through the assembly
- If you can no longer see through the assembly it requires replacement
- If you can see through the assembly, refit and change the filter warning to 3000Hrs
- Check again when prompted and adhere to the same guidelines as above, this time changing the filter warning to 4000Hrs if needs be
- The assembly should be used for no more than 4000Hrs
- Replacements can be purchased from your local reseller using part number:
6103517834